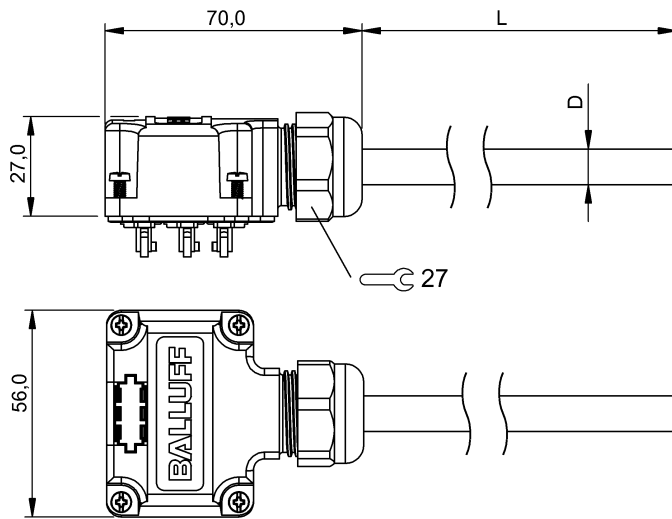


Junction blocks

BPI T00N-K-00-KPXL0-030

Order Code: BPI007T

BALLUFF



Basic features

| | |
|---------------------|--------------------|
| Approval/Conformity | CE UKCA WEEE |
|---------------------|--------------------|

Electrical connection

| | |
|-------------------------------------|--|
| Bending radius min., fixed cable | 7.5 x D |
| Bending radius min., flexible cable | 15 x D |
| Cable | PUR black, 3 m, drag chain compatible |
| Cable diameter D | 9.70 mm ±0.3 mm |
| Cable, bending cycles min. | 2 mil. |
| Conductor cross-section | 0.34 mm ² + 1.0 mm ² |
| Number of conductors | 19 |

Electrical data

| | |
|---------------------|-----|
| Output current max. | 2 A |
| Total current max. | 8 A |

Remarks

Cable construction acc. to UL-AWM Style 20549/10493
Flame resistance per IEC 60332-1-2
Flame resistance per UL 758/1581 FT2
Halogen-free per DIN VDE 0472 Part 815
Halogen-free acc. to IEC 60754-1
Oil resistant per DIN EN 60811-404 (VDE 0473-811-404)
Enclosure rating per IEC 60529, only in screwed state with the associated mating piece.
Suitable for use with BPI 8M4A5P-2K-00-TP0N

Environmental conditions

| | |
|-------------------------------------|------------------------|
| Cable temperature, fixed routing | -40...80 °C |
| Cable temperature, flexible routing | -20...80 °C |
| IP rating | IP67, when threaded in |

Material

| | |
|------------------------|---------|
| Cable jacket, material | PUR |
| Housing material | PBT, GF |

Mechanical data

| | |
|---|-----------------------------|
| Acceleration max., drag chain | 10 m/s ² |
| Cable jacket, color | black |
| Cable length L | 3.00 m |
| Cable properties | drag chain compatible |
| Horizontal travel permitted, drag chain | 10 m at 10 m/s ² |
| Traverse speed max., drag chain | 3 m/s |

Wiring Diagrams

Anschlusstabelle / terminal diagram

| Klemme Nr. Termina No. | M12 Buchse / M12 Socket Steckplatz/Kontakt / Slot/contact | Anschlußleitung Standardfarbe Standard cable colour coding | Kontaktbelegung / Contactassignment |
|---------------------------|--|---|---|
| 1 | 1 / 4 | WH | <p>Buchse / Socket M12</p> <p>(-) 3 4 (NO/1.Signal)</p> <p>5 (PE)</p> <p>(NC/2.Signal) 2 1 (+)</p> <p>Klemmen / terminals</p> <p>BR1 BR2</p> <p>9 11 13 16 14 12 10</p> <p>-1 +1 1 3 PE 4 2 +2 -2</p> <p>5 7 15 8 6</p> |
| 9 | 1 / 2 | GY/PK | |
| 2 | 2 / 4 | GN | |
| 10 | 2 / 2 | RD/BU | |
| 3 | 3 / 4 | YE | |
| 11 | 3 / 2 | WH/GN | |
| 4 | 4 / 4 | GY | |
| 12 | 4 / 2 | BN/GN | |
| 5 | 5 / 4 | PK | |
| 13 | 5 / 2 | WH/YE | |
| 6 | 6 / 4 | RD | |
| 14 | 6 / 2 | YE/BN | |
| 7 | 7 / 4 | BK | |
| 15 | 7 / 2 | WH/GY | |
| 8 | 8 / 4 | VT | |
| 16 | 8 / 2 | GY/BN | |
| +1 | 1, 3, 5, 7 / 1 (+) | BN | |
| +2 | 2, 4, 6, 8 / 1 (+) | n.c. | |
| -1 | 1, 3, 5, 7 / 3 (-) | BU | |
| -2 | 2, 4, 6, 8 / 3 (-) | n.c. | |
| PE | 1-8 / 5 (PE) | GN/YE | |